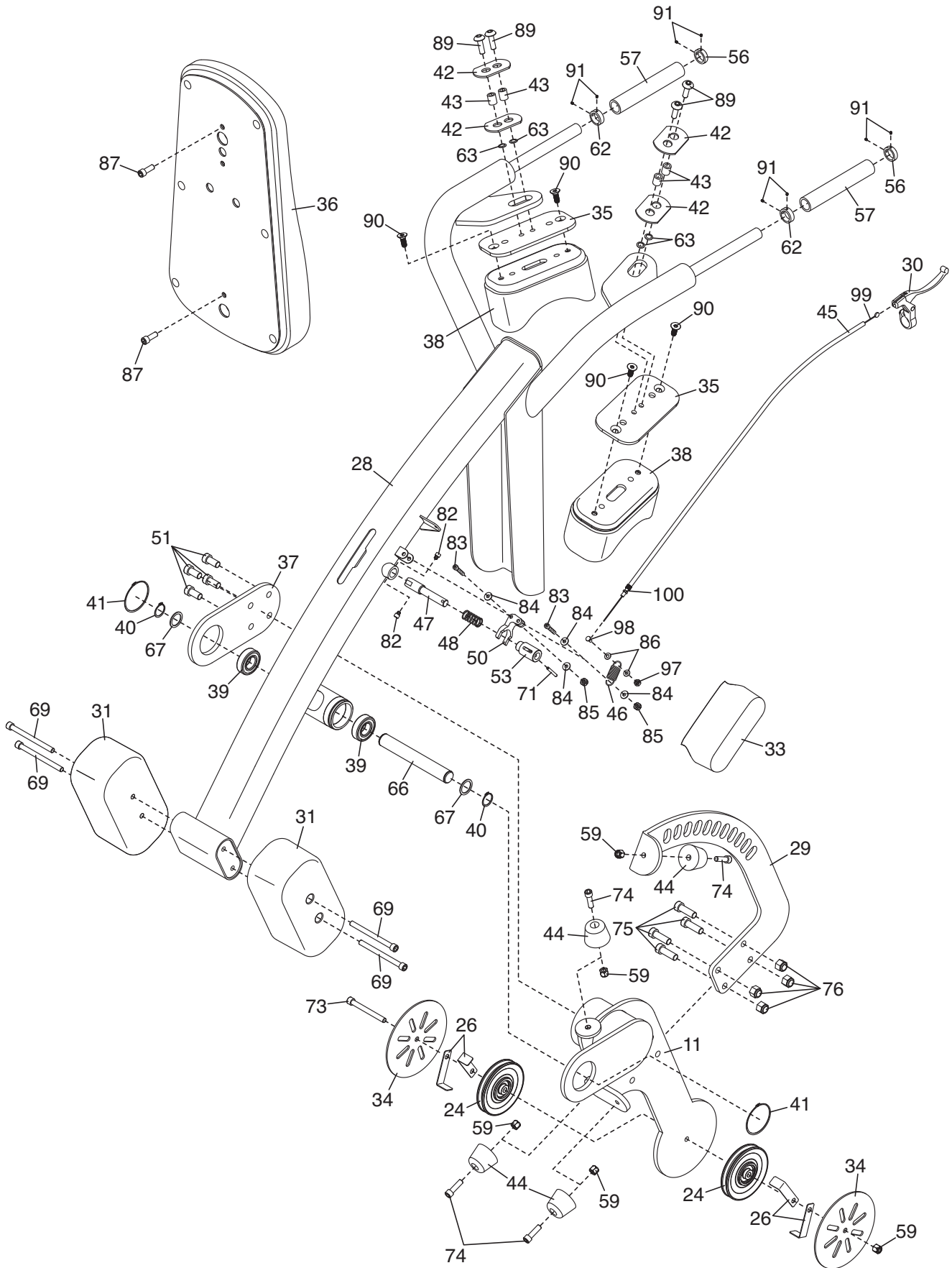


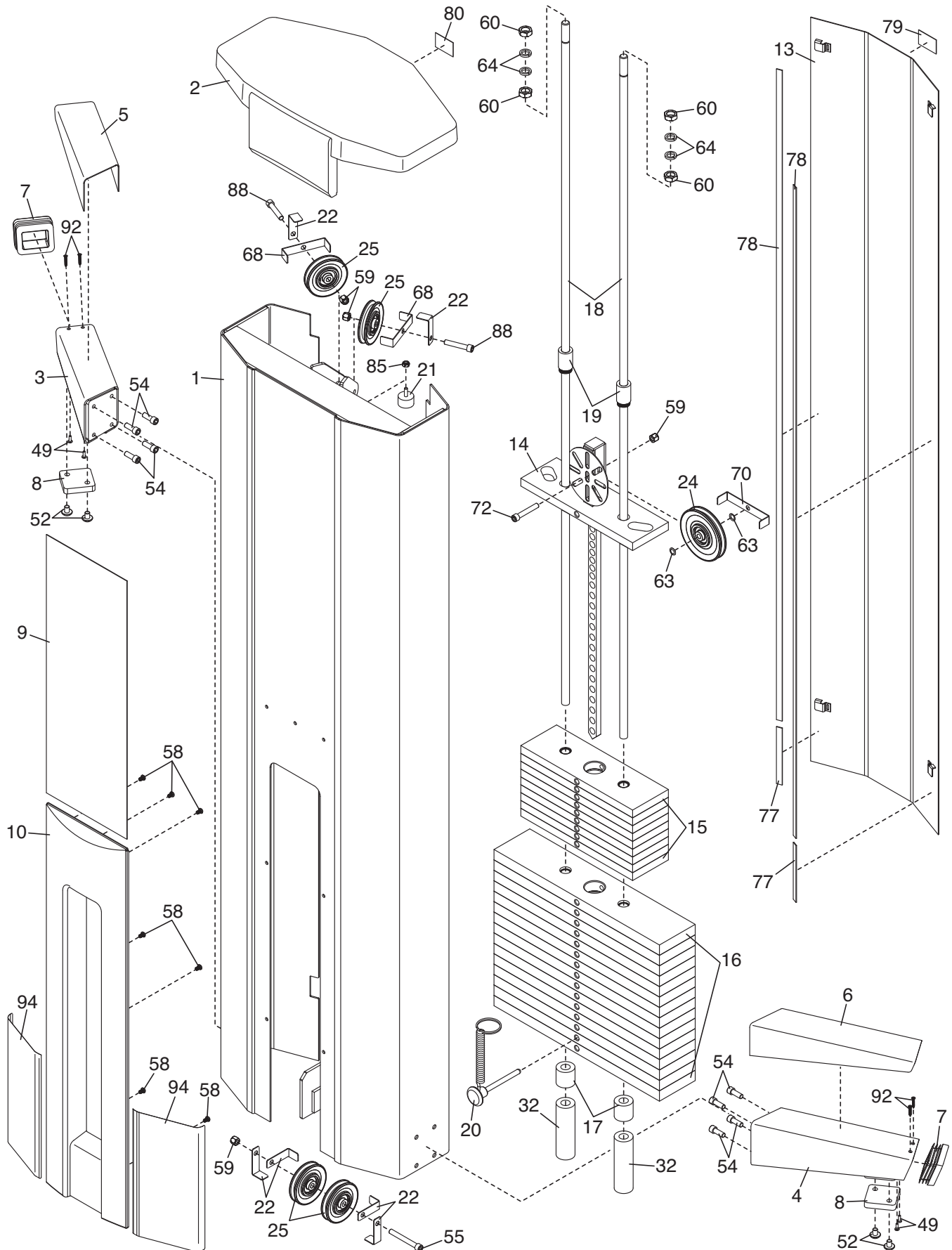
# EXPLODED DRAWING A—Model No. F610.0

R1209A



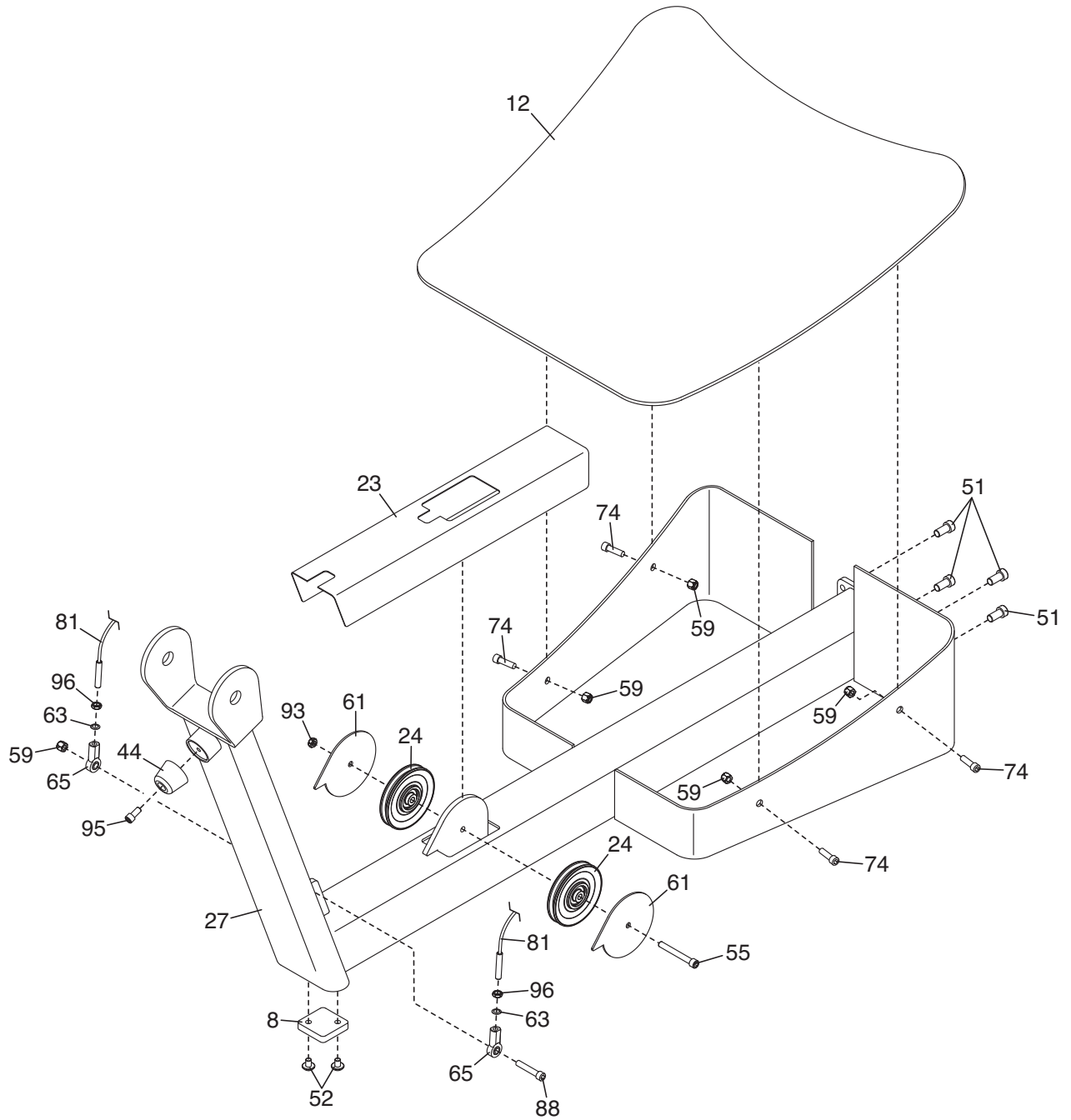
# EXPLODED DRAWING B—Model No. F610.0

R1209A



# EXPLODED DRAWING C—Model No. F610.0

R1209A



Bubble #	OEM Part Number	Part Description
1	NSP	TOWER
2	408644	TOWER COVER
3	408386	LEFT STABILIZER
4	408385	RIGHT STABILIZER
5	414642	LEFT STABILIZER COVER
6	414641	RIGHT STABILIZER COVER
7	GZ10196	STABILIZER CAP
8	<b>GZ1517</b>	FOOT
9	<b>284163</b>	1/4" X 1/2" LEVER SCREW
10	408566	LOWER COVER
11	286561	LIFT BRACKET
12	285061	DECK
13	408824	ACCESS COVER
14	-	WHICH PART IS NEEDED?
14A	374090	WEIGHT CARRIAGE W/O DECAL
14B	378890	DECAL,WT STACK SHEET,NOTE
15	-	WHICH PART IS NEEDED?
15B	-	DECAL, WEIGHTS,SEE #14B
16	-	WHICH PART IS NEEDED?
16A	373460	LARGE WEIGHT W/O DECAL
16B	-	DECAL, WEIGHTS,SEE #148
17	<b>GZ1678</b>	WEIGHT CUSHION
18	<b>GZ3248-03</b>	WEIGHT GUIDE
19	<b>302460</b>	WEIGHT GUIDE BUSHING
20	408262	WEIGHT PIN
21	GZ10108	WEIGHT BUMPER
22	296692	SMALL <b>CABLE</b> TRAP
23	414650	FRAME COVER
24	408530	LARGE PULLEY
25	408532	SMALL PULLEY
26	<b>GZ3102</b>	LARGE <b>CABLE</b> TRAP
27	NSP	FRAME
28	-	WHICH PART IS NEEDED?
28A	286560	LIFTFRAME
28B	428917	ADJBKT GUIDE BLOCK
28C	<b>CC1040</b>	1/4" X 1/2" SCRW, GUIDEBLOCK
29	285092	LARGEADJUSTMENT BRACKET
30	286284	LATCHHANDLE
31	280578	COUNTER WEIGHT
32	286551	WEIGHTSPACER
33	286646	LATCHCOVER
34	286552	LIFTPULLEY COVER

Bubble #	OEM Part Number	Part Description
35	408464	PADBRACKET
36	-	BACKREST,SEE VINYLMODEL
37	286554	SMALLADJUSTMENT BRACKET
38	-	SHLDR PAD,SEEVINYL MODEL
39	<b>GZ1011-01</b>	BEARING
40	295991	SMALLSNAP RING
41	GZ1018-02	LARGESNAP RING
42	<b>GZ1025</b>	PADBUSHING
43	310802	PADSPACER
44	<b>GZ1111</b>	BUMPER
45	-	LATCH CBLHOUSING,SEE #99
46	<b>294304</b>	RELIEF <b>SPRING</b>
47	-	LATCH,SEE #53
48	-	LATCH, <b>SPRING</b> ,SEE#53
49	252759	#8X 3/4" SCREW
50	285331	LATCHLEVER
51	<b>GZ1009-01</b>	1/2"X 1" SCREW
52	<b>GZ1012-07</b>	3/8"X 1/2" SCREW
53	309389	LATCHASSEMBLY
54	<b>GZ1013-03</b>	3/8"X 1" PATCH SCREW
55	<b>GZ1014-02</b>	3/8"X 3" BOLT
56	<b>GZ1755</b>	HANDLECAP
57	286625	HANDGRIP
58	GZ1012-14	1/4"X 3/8" SCREW
59	-	WHICH NUTIS NEEDED?
59A	<b>GZ1007</b>	3/8"SILVER LOCKNUT
59B	<b>252774</b>	3/8"BLACK LOCKNUT
60	<b>GZ1084</b>	5/8"JAM NUT
61	286553	FRAMEPULLEY COVER
62	<b>GZ1756</b>	HANDLEBUSHING
63	<b>GZ1069</b>	3/8"SERRATED LOCK WASHER
64	<b>GZ1085</b>	5/8"SPLIT WASHER
65	<b>GZ1063</b>	BALLEND
66	<b>GZ3186</b>	PIVOTAXLE
67	<b>GZ1052</b>	1"WASHER
68	279760	SMALLDOUBLE TRAP
69	<b>GZ1013-11</b>	3/8"X 4 1/2" SCREW
70	<b>GZ3091</b>	LARGEDOUBLE TRAP
71	-	ROLL PIN,SEE #53
72	<b>GZ1014-05</b>	3/8" X 2 1/4" BOLT
73	GZ1013-08	3/8" X 3 1/2" BOLT
74	-	WHICH SCREW IS NEEDED?

Bubble #	OEM Part Number	Part Description
74A	<b>GZ1013-12</b>	3/8" X 11/4" SILVER BOLT
74B	415292	3/8" X 11/4" BLACK BOLT
75	GZ1009-09	1/2" X 11/2" BOLT
76	<b>GZ1109</b>	1/2" LOCKNUT
77	284436	SHORT MAGNETIC TAPE
78	284437	LONG MAGNETIC TAPE
79	280583	HOOK & LOOP SET
80	-	LOOP FASTENER TAPE,SEE#79
81	286278	<b>CABLE</b>
82	309388	1/4" X 1/2" SCREW
83	286173	1/4" X 1-1/4" SCREW
84	GZ1267	1/4" NYLON WASHER
85	<b>GZ1094</b>	1/4" LOCKNUT
86	316017	#10 WASHER 2
87	289496	M8 X 25MM SCREW
88	<b>GZ1013-04</b>	3/8" X 2" SCREW
89	-	WHICH PART IS NEEDED?
89A	GZ1012-12	3/8" X 11/4" SCREW
89B	<b>GZ1074</b>	S/16" WASHER
90	295367	M8 X 25MM FLAT HEAD SCREW
91	<b>GZ1761</b>	#10 X 1/8" SET SCREW
92	125803	#8 X 1" FLAT HEAD SCREW
93	<b>133945</b>	3/8" JAM NUT
94	281157	TOWER GUARD
95	<b>GZ1013-01</b>	3/8" X 3/4" SCREW
96	GZ1083	3/8" <b>CABLE</b> NUT
97	012009	MS LOCKNUT
98	-	WHICH PART IS NEEDED?
98A	013009	MS <b>CABLE</b> BOLT
98B	342987	<b>CABLE</b> BOLT SPACER
99	<b>404556</b>	LATCH <b>CABLE</b>
100	404343	ADJUSTMENT BARREL
101	GZ1679	3/4" WASHER
102	309352	COLLAR
103	014062	1/4" SPLIT WASHER
104	-	WHICH PART IS NEEDED?
104A	373452	SMALL TOP WT W/0 DECAL
104B	-	DECAL, WEIGHTS,SEE #14B
#	394824	TOUCH-UP PAINT, PLATINUM
#	370340	AEROSOL PAINT, PLATINUM